

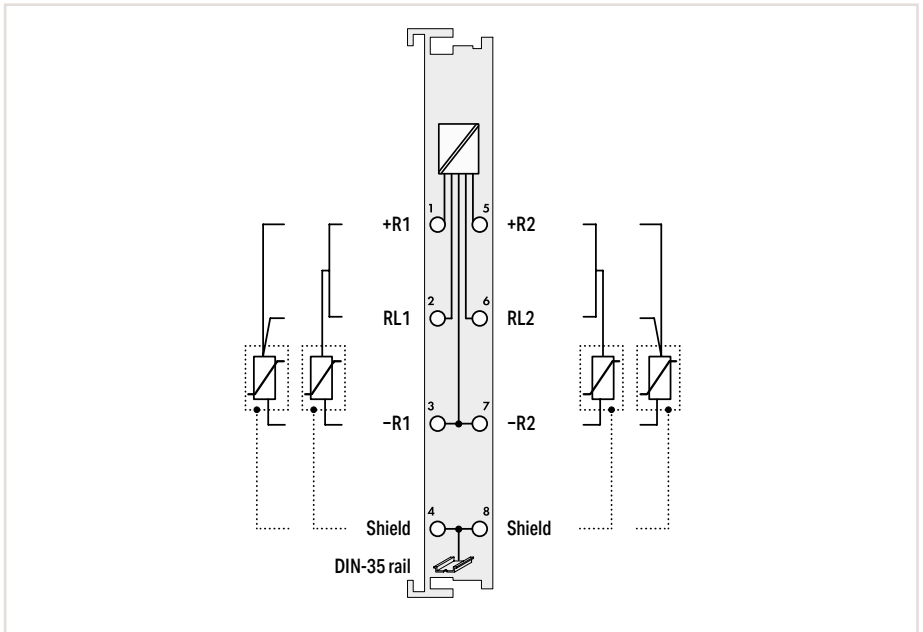
## Analog Input; for Resistance Sensors

5.4



Figure: 750-461

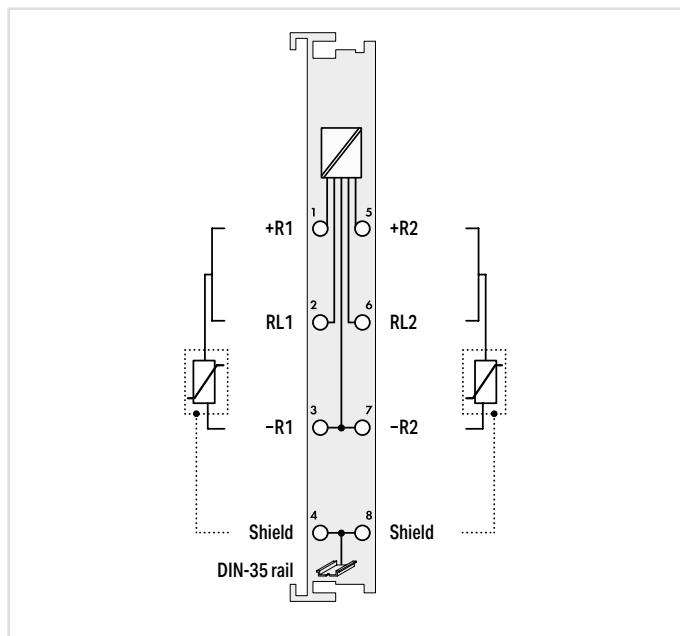
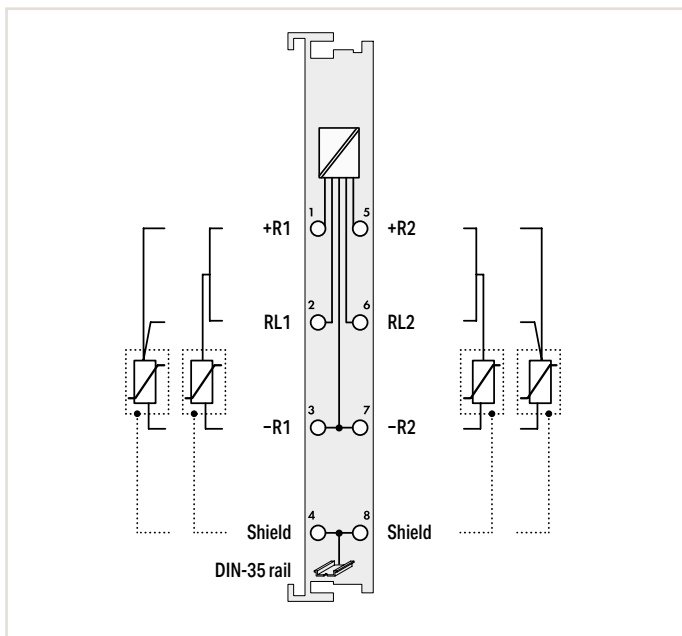
Figure: 753-461



Item Description	2-Channel Analog Input; for Pt100/RTD resistance sensors					
Version	Standard	Pluggable (delivery with-out connector)	Adjustable	Pluggable (delivery with-out connector); Adjustable	Extended temperature	Data format (S5 control)
Item No.	750-461	753-461	750-461/003-000	753-461/003-000	750-461/025-000	750-461/000-200
Order Text	2AI; Pt100/RTD	2AI; Pt100/RTD	2AI; Pt100/RTD; Adjust	2AI; Pt100/RTD; Adjust	2AI; Pt100/RTD; T	2AI; Pt100/RTD; S5

Technical Data					
Pluggable connector		•		•	
Customized data format for S5 control*				•	
Number of analog inputs	2				
Signal type	Pt100	Pt100 Configurable: Pt; Ni; Ohm		Pt100	
Sensor connection	2-wire; 3-wire				
Temperature range	-200 ... +850 °C				
Resolution	0.1 °C				
Conversion time	320 ms (per channel)				
Measured current (typ.)	0.5 mA				
Measuring error (max.) at 25 °C	±0.2 % of the upper-range value				
Temperature error (max.)	±0.01 % of the upper-range value				
Current consumption – system supply (5 V)	80 mA				
Data width	2 x 16-bit data; 2 x 8-bit control/status (optional)				
Isolation	500 V (system/field)				
Surrounding air temperature (operation)	0 ... +55 °C	-20 ... +60 °C		0 ... +55 °C	
Dimensions W x H x D	12 x 69.8 x 100 mm				
Approvals	CE; Marine; OrdLoc/HazLoc; ATEX/IECEx				
Data sheet and further information, see:	<a href="http://wago.com/750-461">wago.com/750-461</a>	<a href="http://wago.com/753-461">wago.com/753-461</a>	<a href="http://wago.com/750-461">wago.com/750-461</a>	<a href="http://wago.com/753-461">wago.com/753-461</a>	<a href="http://wago.com/750-461">wago.com/750-461</a>
Accessories	Item No.		Item No.		
Pluggable connector	753-110		753-110		
Coding keys	753-150		753-150		

\*The S5 format allows you to import data with the standard S5 FB 250 function block.



2-Channel Analog Input; for resistance sensors		
Pt1000/RTD	Ni1000/ RTD	Ni1000 TK5000
750-461/000-003 2AI; Pt1000/RTD	750-461/000-005 2AI; Ni1000/RTD	750-461/000-009 2AI; Ni1000 TK5000

2-Channel Analog Input; for resistance sensors	2-Channel Analog Input; Resistance measurement	
NTC 20k	10 ... 1200 Ohm	10 ... 5000 Ohm
750-461/020-000 2AI; NTC 20k	750-461/000-002 2AI; 10R-1k2	750-461/000-007 2AI; 10R-5k0

2		
Pt1000	Ni1000 TK6180	Ni1000 TK5000
2-wire; 3-wire		
-200 ... +850 °C	-60 ... +250 °C	-30 ... +122 °C
0.1 °C		
320 ms (per channel)		
0.5 mA		
±0.2 % of the upper-range value		
±0.01 % of the upper-range value		
80 mA		
2 x 16-bit data; 2 x 8-bit control/status (optional)		
500 V (system/field)		
0 ... +55 °C		
12 x 69.8 x 100 mm		
Marine;  OrdLoc/HazLoc;  ATEX/IECEX <a href="http://wago.com/750-461">wago.com/750-461</a>		

2		
NTC 20k	10R ... 1k2	10R ... 5k0
2-wire		
-30 ... +130 °C		
0.1 °C	0.1 Ohm	0.5 Ohm
320 ms (per channel)		
0.05 mA	0.5 mA	
0.5 ... 3 K (temperature-dependent)	±0.2 % of the upper-range value	
±0.002 % of the upper-range value	±0.01 % of the upper-range value	
65 mA	80 mA	
2 x 16-bit data; 2 x 8-bit control/status (optional)		
500 V (system/field)		
0 ... +55 °C		
12 x 69.8 x 100 mm		
Marine;  OrdLoc/HazLoc;  ATEX/IECEX <a href="http://wago.com/750-461">wago.com/750-461</a>		